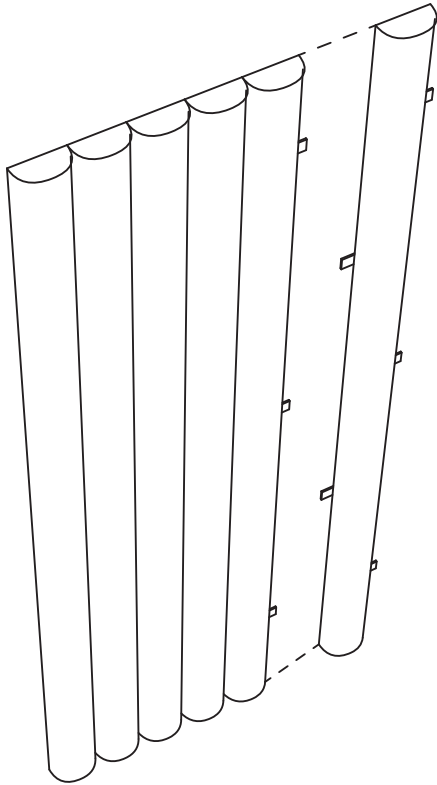


WALL / TUBULAR TON ABOUT



TON is the German word for sound and our **TUBULAR TON** is a workhorse in its absorption. 3mm merino wool felt is draped over a cylindrical shape which is filled with a high-performance acoustic substrate. Wool felt is exposed on all sides except the back.

The **TUBULAR TON** can be spaced apart creating unique patterns or they can be installed with panels abutting.

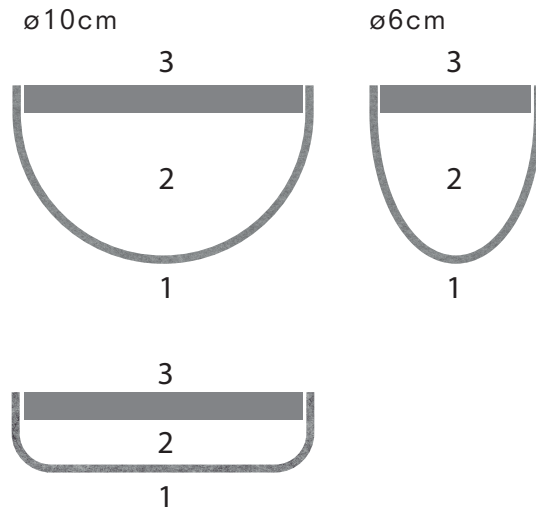
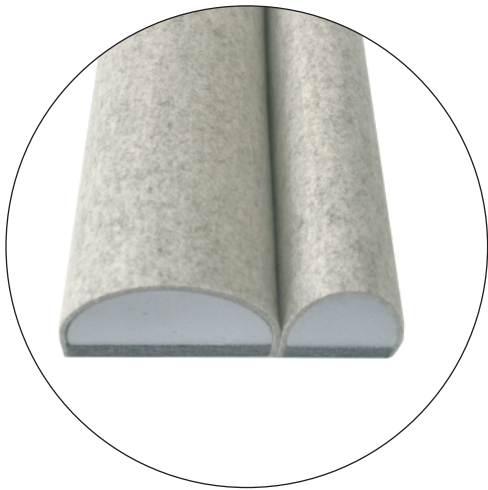
TUBULAR TONS can be equipped with a pre-installed clip mounting systems that makes installation very easy and quick, requiring almost no tools.

Available in different section shape and size.

WALL / TUBULAR TON

TECHNICAL DATA

1. cover: 3mm 100% WOOLFELT
2. Acoustic Substrate: BASF
3. backing: PET



DIMENSIONS

Diameter ø 6,10 cm

Height: 60 - 240 cm

Acoustic substrate: half circle

Colors: 44 base colors + custom

TUBULAR TON

Designed for the absorption of noise. Cover of 100% WOOLFELT in 3mm.

Substrate: BASF Basotect or mineral wool. Backing PET

CUSTOM

Colors, dimensions, mounting fixings

SOUND ABSORPTION

	125	250	500	1000	2000	4000	
ø10cm	0.27	0.70	1.08	1.12	1.11	1.07	NRC 1.00

Significantly higher absorption possible through creation of an air gap between wall and panel.

FLAME RETARDENT:

Wool Felt: B2 Din 4102 t1

BASF:

MAINTENANCE

Vacuum, wipe with moist cloth and mild soap. Do not use abrasive cleaning tools.

See detailed guidance on www.feltum.com/maintenance

USE

Open interior spaces such as offices, schools, concert halls.

ENVIRONMENT

Felt: Oekotex Standard 100 certified, hypo allergenic Without chemical irritants. Free of toxic substances. Wool felt ecologically certified under Oekotex Standard 100